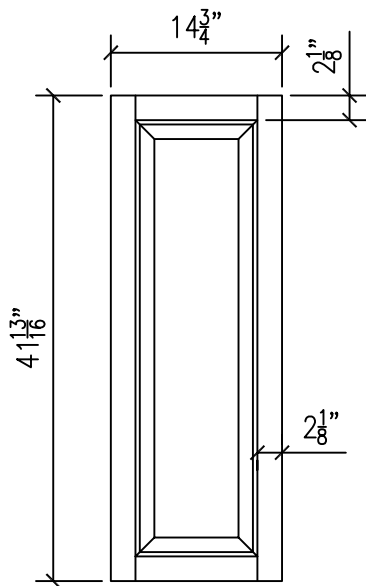
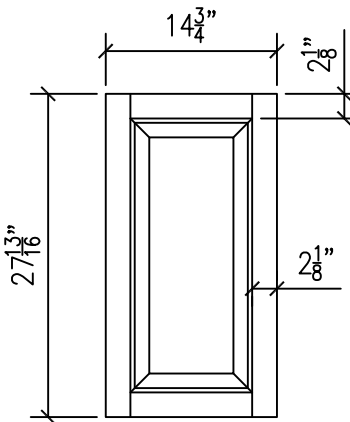


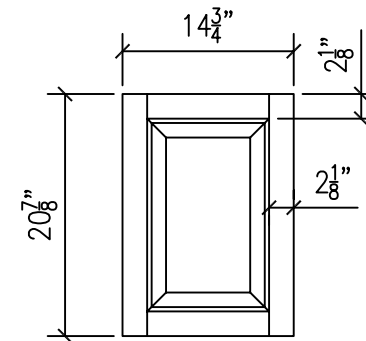
RP1584



RP1542



RP1528



RP1521

NOTE: ALL DOORS  
TO BE 3/4" THICK  
AND FINISHED TO  
MATCH SUBMITTED  
SAMPLE



61573 AMERICAN LOOP  
BEND, OR 97702

TEL: (541) 382-7691  
FAX: (541) 388-8113

Raised Panel - 84" x 15"  
Frame

Locker Doors

SCALE

None

DATE

1.12.06